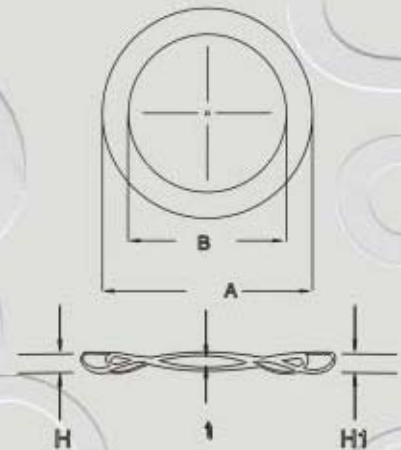


WAVE SPRING WASHERS



International Industrial Springs

Plot No.A-26, Road No.10, Wagle Industrial Estate, Thane - 400 604. INDIA

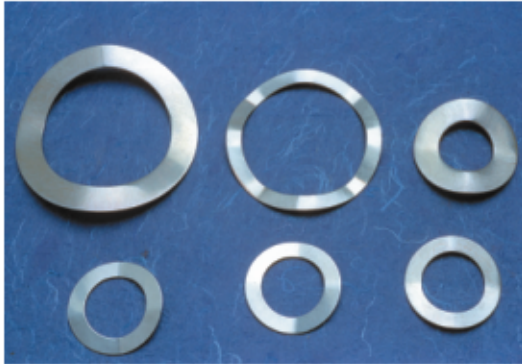
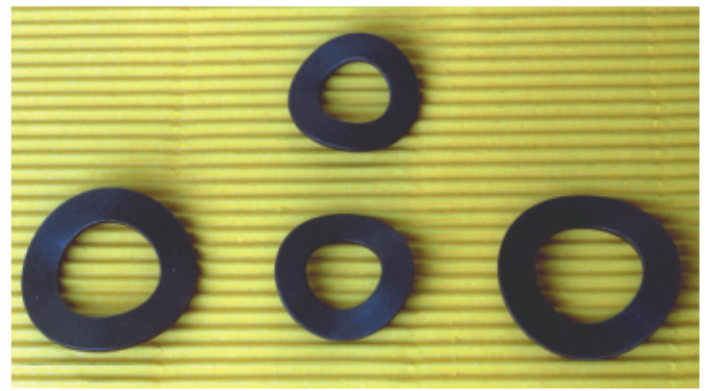
Tel. : 2582 1941 / 2508 / 2581 3416 . Fax : 91-22-2582 4478

Email : sales@internationalsprings.com / discsprings@yahoo.com

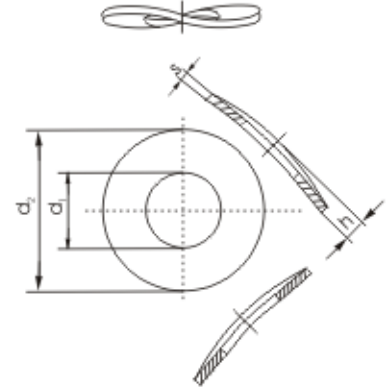
Website : www.internationalsprings.com

Wave Washers

IIS makes all types of wave Spring washers as per DIN 137 & DIN 6904. IIS Wave washers are made from prime quality spring steel, stainless steel, copper and other material which are readily available in very standard sizes. Wave washers are wavy metal washers designed to offer a compensating spring force and maintain a load or take up shock. These are the disc of irregular shape formed in such a way that when loaded it deflects, acts like a spring, and provides a preload between two surfaces. Wave washers are very useful for limited radial space and moderate thrust load e.g. Axial loading of Ball bearing.



The number of waves can be two, three or more. The spring rate is proportional to the number of waves raised to the fourth power. Wave Washers are generally preferred as cushion spacers between parts on shafts or to take up the probable deviation in assembled parts. These are positioned underneath a nut, an axle bearing or a joint to reduce friction, avoid leakage, isolate, stop loosening or distribute pressure. IIS has ready stock of all the sizes. For details checkout our website.



International Industrial Springs, Thane established in the year 1967 has specialized in manufacture of Disc springs, serrated washers, curved washers, wave spring washer, Bearing washers & Precision Sheet Metal Components. IIS continued its steady growth by implementing modern manufacturing methods. Our engineers have utilized their engineering background, experience and skills in designing and improving the manufacturing process through value engineering for best quality. Extensive product development and testing laboratories are available and used for our in house production and also for customer's proprietary development.

Our main goals are individual attention, custom engineering, continuous improvement and management commitment to product quality and customer's satisfaction.

At IIS, we believe in quality through performance. All our springs are manufactured as per DIN, ASTM or IS standards. We can also custom make your requirement as per your tolerances. We at IIS are committed to customer satisfaction through quality and believe customer satisfaction is the key to our growth. Our QC team is well experienced and responsible for identifying quality problems and providing solutions for the same.

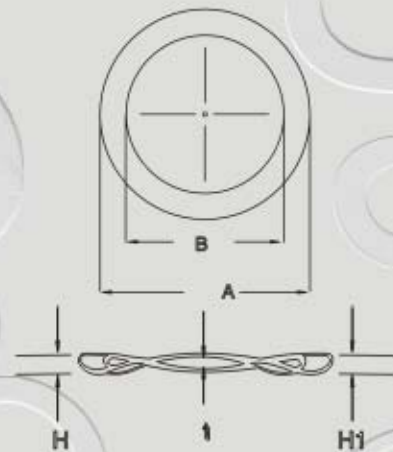
Table 1 : Dimensions of type B Spring washers

Nominal size	d ₁ 1) H14	d ₂ 1) js16	s		h	
			Nominal size	Limit deviations	min.	max.
3 ²⁾	3.2	8	0.5	± 0.05	0.8	1.6
3.5 ²⁾	3.7	8	0.5	± 0.05	0.9	1.8
4	4.3	9	0.5	± 0.05	1	2
5	5.3	11	0.5	± 0.05	1.1	2.2
6	6.4	12	0.5	± 0.05	1.3	2.6
7	7.4	14	0.8	± 0.06	1.5	3
8	8.4	15	0.8	± 0.06	1.5	3
10	10.5	21	1	± 0.07	2.1	4.2
12	13	24	1.2	± 0.07	2.5	5
14	15	28	1.6	± 0.08	3	6
16	17	30	1.6	± 0.08	3.2	6.4
18	19	34	1.6	± 0.08	3.3	6.6
20	21	36	1.6	± 0.08	3.7	7.4
22	23	40	1.8	± 0.1	3.9	7.8
24	25	44	1.8	± 0.1	4.1	8.2
27	28	50	2	± 0.1	4.7	9.4
30	31	56	2.2	± 0.1	5	10
33	34	60	2.2	± 0.1	5.3	10.6
36	37	68	2.5	± 0.15	5.8	11.6

1) The diameter tolerances specified apply to spring washers when pressed flat. The tolerance on coaxiality between d₁ and d₂ (related to d₂) shall be 1/2 IT 14

2) Values to be complied with in the spring force test as described in DIN 267 Part 26 have not as yet been specified for this size.

WAVE SPRING WASHERS



ISO 9001:2000



International Industrial Springs

Plot No.A-26, Road No.10, Wagle Industrial Estate, Thane - 400 604. INDIA

Tel. : 2582 1941 / 2508 / 2581 3416 . Fax : 91-22-2582 4478

Email : sales@internationalsprings.com / discsprings@yahoo.com

Website : www.internationalsprings.com