

Wave Washers as per DIN 137 B



For using between parts on shafts

Wave Washers as per DIN 137 B

IS Stocks all types of Wave Springs Washers as per DIN 137 B. These Wave Washers are made from prime quality Spring Steel. Stainless Steel and Copper are also available in standard sizes. Wave Washers are wavy metal washers designed to offer a compensating spring force and maintain a load or take up shock. These are the disks of irregular shape formed in such a way that when loaded it deflects and acts like a spring and provides a preload between two surfaces. Wave Washers are very useful for limited radial space and moderate thrust load. e.g. Axial loading of Ball bearing.

The number of waves can be two, three or more. The spring rate is proportional to the number of waves raised to the fourth power.

Wave Washers are generally preferred as cushion / cushion spacers between parts on shafts or to take up the probable deviation in assembled parts. These are positioned underneath a nut, an axle bearing, or a joint, to reduce friction, avoid leakage, isolate, stop loosening or distribute pressure.

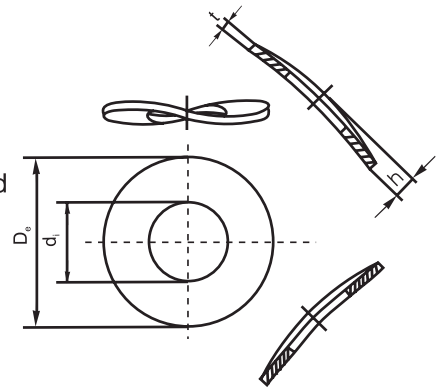


Table 1 : Dimensions of type B Wave washers

Part No.	Sizes in Inches				Sizes in mm						Nominal Size
	D _e	d _i	t	h	D _e	d _i	Thickness (t)		Height (h)		
Plain Oil Finish				(min)	js16	H14	Nominal size	Tolerance	min.	max.	
WW-083205	0.315	0.126	0.020	0.031	8	3.2	0.5	+/-0.05	0.8	1.6	M 3 ²
WW-083705	0.315	0.146	0.020	0.035	8	3.7	0.5	+/-0.05	0.9	1.8	M 3.5 ²
WW-094305	0.354	0.169	0.020	0.039	9	4.3	0.5	+/-0.05	1.0	2.0	M 4
WW-115305	0.433	0.209	0.020	0.043	11	5.3	0.5	+/-0.05	1.1	2.2	M 5
WW-126405	0.472	0.252	0.020	0.051	12	6.4	0.5	+/-0.05	1.3	2.6	M 6
WW-147408	0.551	0.291	0.031	0.059	14	7.4	0.8	+/-0.06	1.5	3.0	M 7
WW-158408	0.591	0.331	0.031	0.059	15	8.4	0.8	+/-0.06	1.5	3.0	M 8
WW-211010	0.827	0.413	0.039	0.083	21	10.5	1.0	+/-0.07	2.1	4.2	M 10
WW-241312	0.945	0.512	0.047	0.098	24	13	1.2	+/-0.07	2.5	5.0	M 12
WW-281516	1.102	0.591	0.063	0.118	28	15	1.6	+/-0.08	3.0	6.0	M 14
WW-301716	1.181	0.669	0.063	0.126	30	17	1.6	+/-0.08	3.2	6.4	M 16
WW-341916	1.339	0.748	0.063	0.130	34	19	1.6	+/-0.08	3.3	6.6	M 18
WW-362116	1.417	0.827	0.063	0.146	36	21	1.6	+/-0.08	3.7	7.4	M 20
WW-402318	1.575	0.906	0.071	0.154	40	23	1.8	+/-0.10	3.9	7.8	M 22
WW-442518	1.732	0.984	0.071	0.161	44	25	1.8	+/-0.10	4.1	8.2	M 24
WW-502820	1.969	1.102	0.079	0.185	50	28	2.0	+/-0.10	4.7	9.4	M 27
WW-563122	2.205	1.220	0.087	0.197	56	31	2.2	+/-0.10	5.0	10.0	M 30
WW-603422	2.362	1.339	0.087	0.209	60	34	2.2	+/-0.10	5.3	10.6	M 33
WW-683725	2.677	1.457	0.098	0.228	68	37	2.5	+/-0.15	5.8	11.6	M 36

1. The diameter tolerances specified apply to spring washers when pressed flat. The tolerance on coaxiality between d_i and d_e (related to d_i) shall be 1/2 IT 1
 2. Values to be compiled with in the spring force test as described in DIN 267 Part 26 have not as yet been specified for this size.